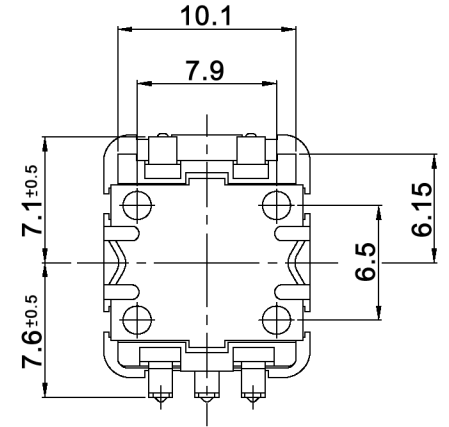
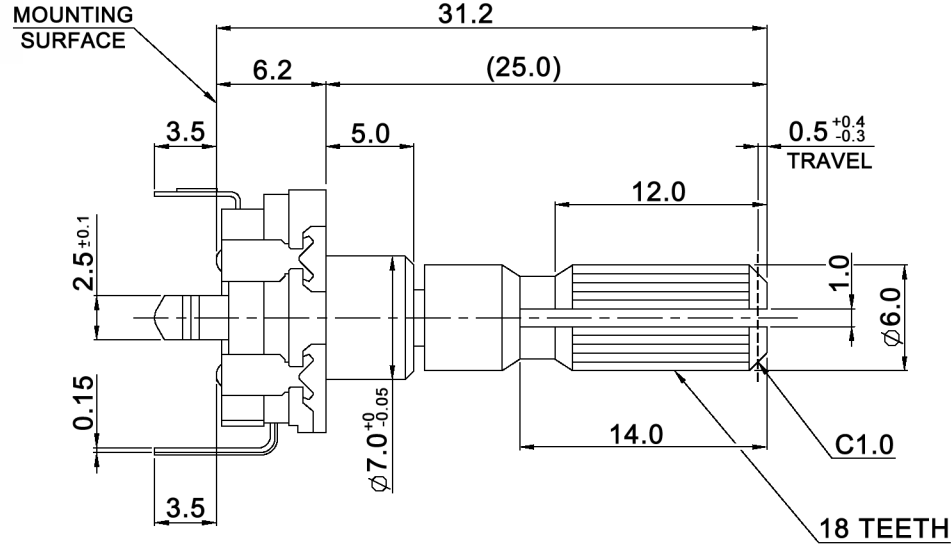
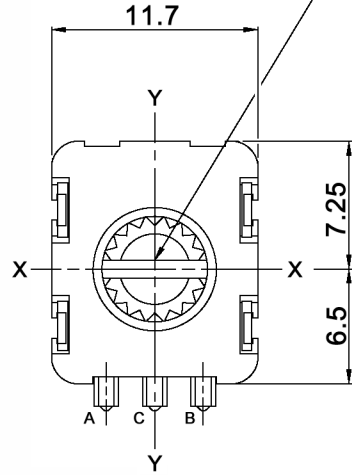
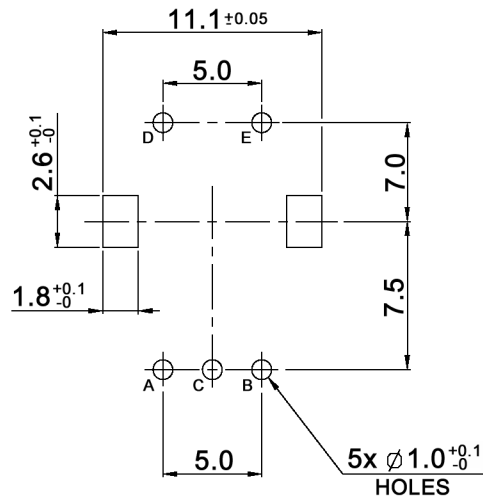


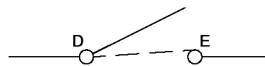
SHAFT FLAT IS OPTIONAL ANGLE



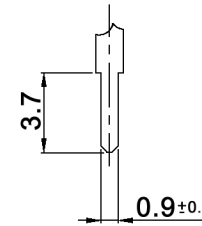
P.C.B. MOUNTING
(TOLERANCE ±0.1)
VIEWED FROM MOUNTING SIDE
t=1.6mm



CIRCUIT DIAGRAM



TERMINAL DETAIL

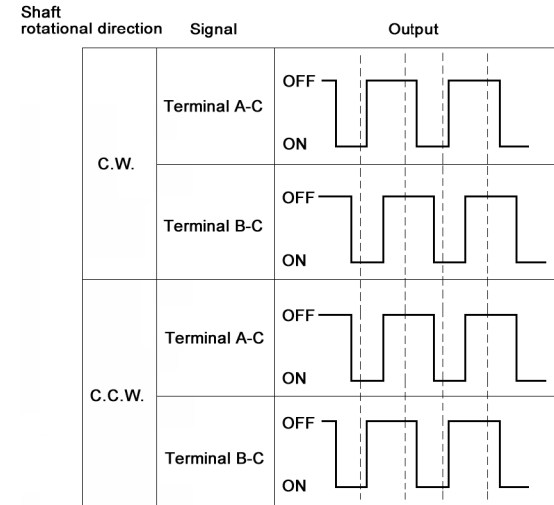


Tolerances: <10: ±0.3mm 10-100: ±0.5mm		Date	Name	<h1>MERP11-15225A</h1>
		03/11	dr	
		knitter-switch		<h2>30 23 33</h2>
Modifications		Date	Name	Page 1/2

Specifications:

Contact rating: 10mA, 5V DC
 Contact resistance: 100mOhm max.
 Insulation resistance: 100MOhm min. at 250V DC/1mA
 Dielectric strength: 300V AC for 1 minute
 Operating temperature: -40°C to +85°C
 Storage temperature: -40°C to +85°C
 Resolution: 15 pulses / 360° for each phase
 Detent torque: 30-200gf.cm
 No. and pos. of detents: 30 detents; step angle: 12° +/-3°
 Rotational life: 15 000 cycles
 Soldering conditions: 260 +/-5°C, 5 +/-1sec.
 Switch: Mechanical life: 20 000 cycles
 Operating force: 600 +/-300gf

Output signal format



Tolerances: <10: ±0.3mm 10-100: ±0.5mm		Date	Name	<h1>MERP11-15225A</h1>
		03/11	dr	
		knitter-switch		30 23 33
				Page
				2/2
Modifications	Date	Name		